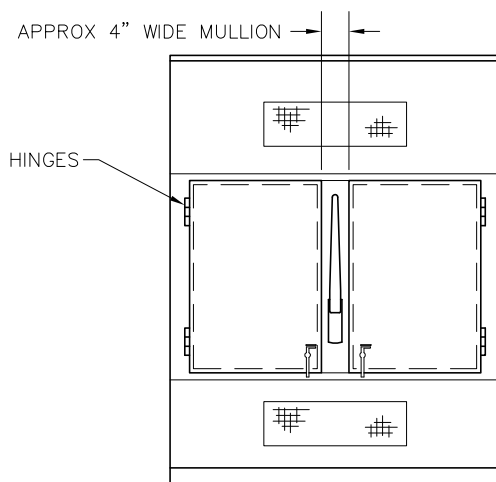


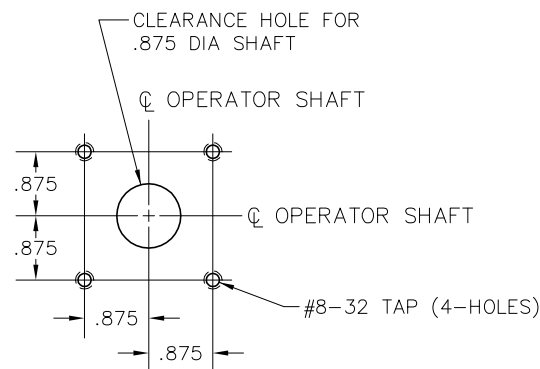
NOTE: FOR POLE UNIT DIMENSIONS, REFER TO DRAWING NO. O-1022.

VENTILATION: WHEN THE SWITCHES ARE TOTALLY ENCLOSED, VENTILATING LOUVERS MUST BE PROVIDED YIELDING A MINIMUM OF "H" SQUARE INCHES NEAR THE TOP OF THE ENCLOSURE, AND "H" SQUARE INCHES NEAR THE BOTTOM OF THE ENCLOSURE.

AMPS	H
800	NONE
1200	NONE
1600	60
2000	60
2500	80
3000	120



FRONT VIEW
RECOMMENDED ENCLOSURE DESIGN



FRONT CUT-OUT

REV. 4 2-23-06 JWE VIEWS NOW SHOW MAKE-BEFORE-BREAK
 REV. 3 12-28-00 RME GENEVA PLATES AND HANDLE REVISED
 REV. 2 5-16-94 JAE REDRAWN; 2-P CHANGED FROM OMITTING
 RIGHT POLE TO OMITTING CENTER POLE

(SIDE BY SIDE) SERIES VL SWITCHES WITH GENEVA DUAL OPERATOR		
SCALE:	APPROVED BY:	DRAWN BY J/JWE
DATE: 8-11-82		REVISED 4
boltswitch, inc. CRYSTAL LAKE, ILLINOIS 60014		DRAWING NUMBER O-1137